



SERVICES INCORPORATED

A POSTECH Manufacturing Company



800-372-3774

www.servicesinc.net

Email: info@servicesinc.net

Established 1983

Services, Inc.

<u>Mainframe Solutions</u>	Page 3
<u>Monitor Stands</u>	Page 4
<u>Keyboard Stands</u>	Page 5
<u>EFT Stands</u>	Page 6
<u>EFT Accessories</u>	Page 7
<u>Customer Desks</u>	Page 8
<u>Combination Stands</u>	Page 9
<u>PosCarts</u>	Page 10
<u>Cashier Consoles</u>	Page 11
<u>Lane Lights</u>	Page 12
<u>Custom Lights</u>	Page 13-14
<u>Dangler Arms</u>	Page 15
<u>Bollards, Wall Protection</u>	Page 16
<u>Case Guards</u>	Page 17
<u>Fixturing</u>	Page 18

Services, Inc. Company Directory

Toll Free: (800) 372-3774
Local: (715) 294-2922
Fax: (715) 294-3041

If you are interested in becoming part of our dealer network, please call a sales representative today for more details!

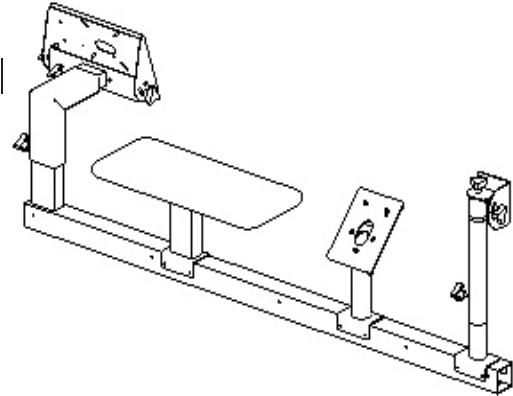
MAINFRAME SOLUTIONS

The POSTECH® Mainframe assures a positive and sturdy support for all equipment options. The wire way safely conceals as well as provides organized access to all electronic equipment. It is modular and can be easily expanded and lengthened to accommodate equipment additions.

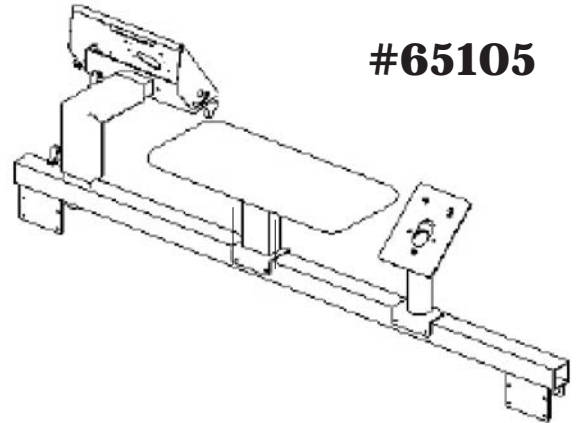
#65010

Four Station MainFrame

#65010

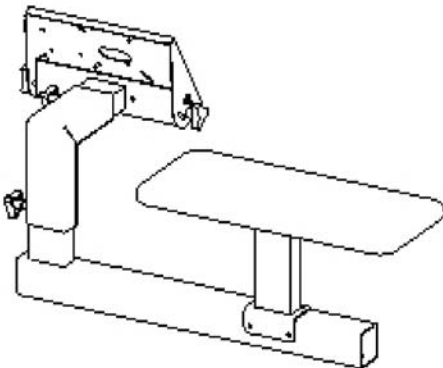


#65105



Three Station MainFrame

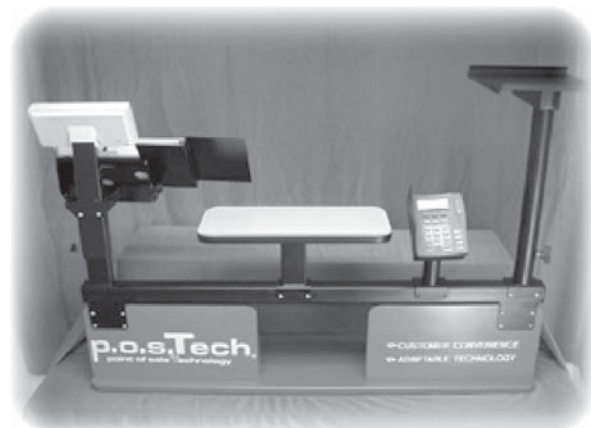
#65105



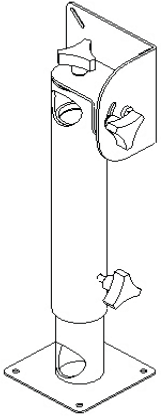
Two Station MainFrame

#65110

#65110



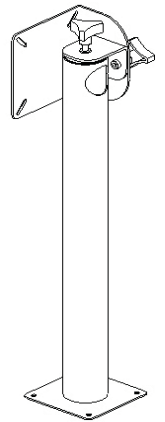
POSTECH® MONITOR STANDS



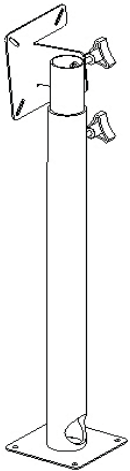
LCD Monitor Stand (Standard 15")
#61978

#61978

LCD Monitor Stand Fixed
#61987



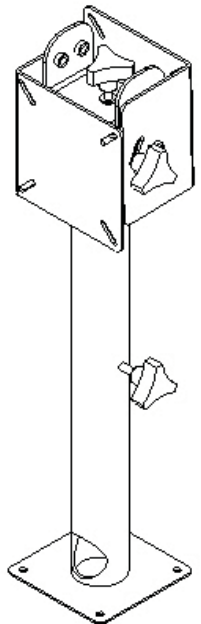
#61987



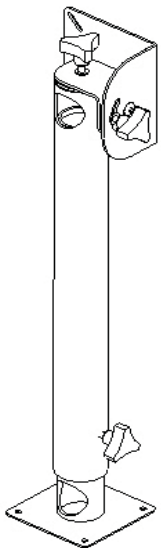
Open Monitor Stand
#61082

#61082

LCD Double Monitor Stand
#61200



#61200



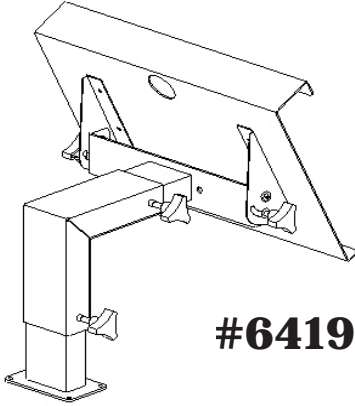
LCD Monitor Stand Custom Height
#61085

#61085

**Choice of Counter or Rail
Mount**

KEYBOARD / TOUCH SCREEN STANDS

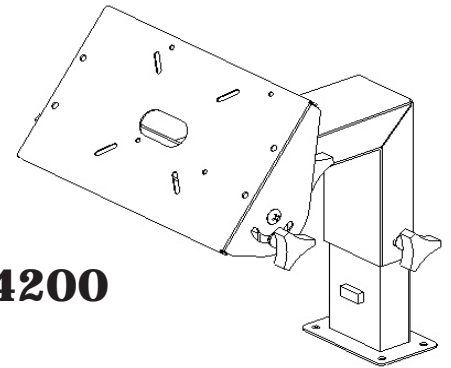
Services Inc. makes the top of the line POSTECH® adjustable stands for both Keyboards and Touch Screens. Stands come in many different forms to meet your needs.



#64195

Keyboard Stand (Standard)

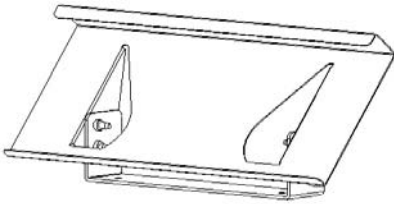
#64195



#64200

Touch Screen Stand (Standard)

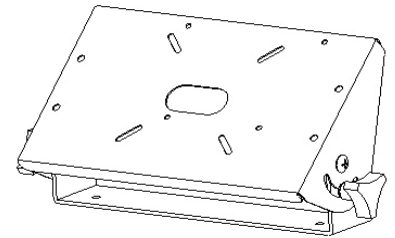
#64200



#64040

Keyboard with Deck Mount

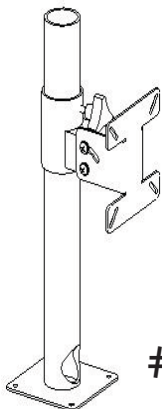
#64040



#64063

Touch Screen with Deck Mount

#64063



#64166

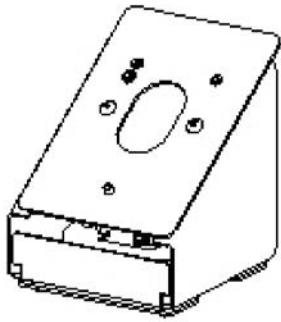
Touch Screen Stand

#64166

EFT STANDS

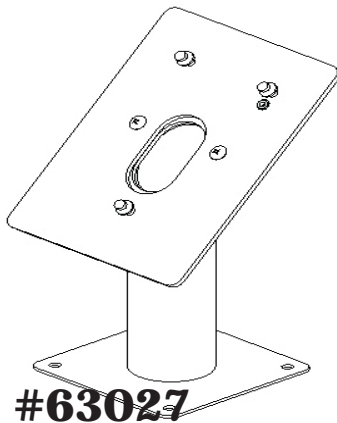
Designed for ease of transition. These EFT Stands allow for easy reach, adjustability, good looks, and much more. Services Inc. stands are manufactured with heavy duty steel and are power coated for durability. Powder coating not only makes it look professional but helps resist abuse.

#63028



Wedge Swivel

#63028



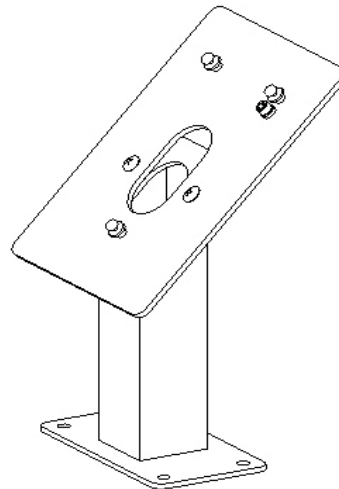
#63027

Manual Swivel EFT

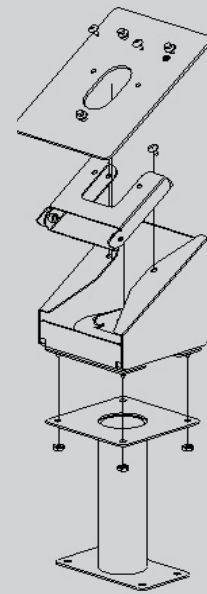
#63027

Fixed EFT Stand

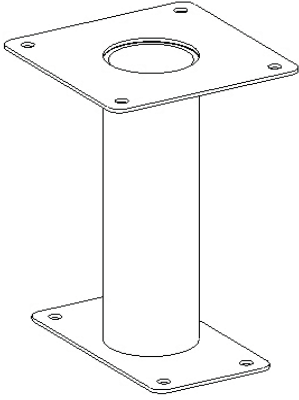
#63026



Example -



EFT Accessories



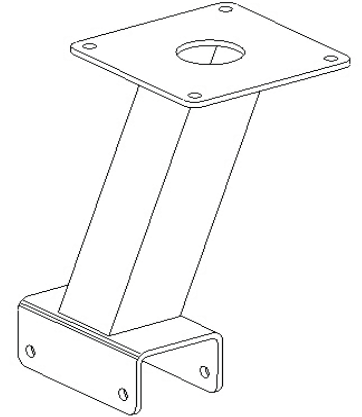
#63241

EFT Riser with Counter Mount

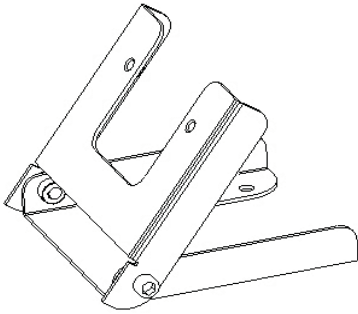
#63241

EFT Angled Riser

#63006



#63006



#6391

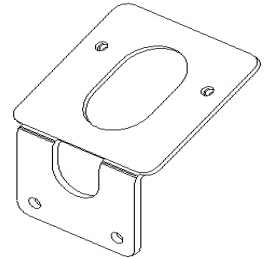
ADA Tilt Bracket

#6391

EFT Adapter Plate

Attach an EFT right to your Keyboard Stand

#60024

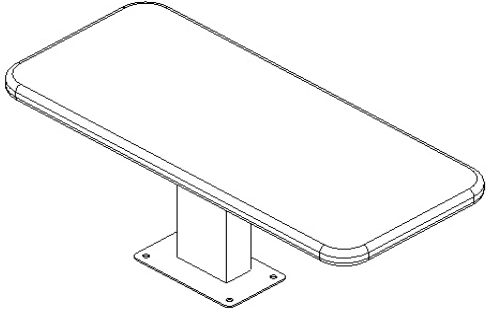


#60024

Mounting Solutions for any situation

Customer Desks

CUSTOMER DESKS come in many different sizes, looks and heights. Desks may be modified to your needs. You'll find these desks to be very convenient and handy for your customers.



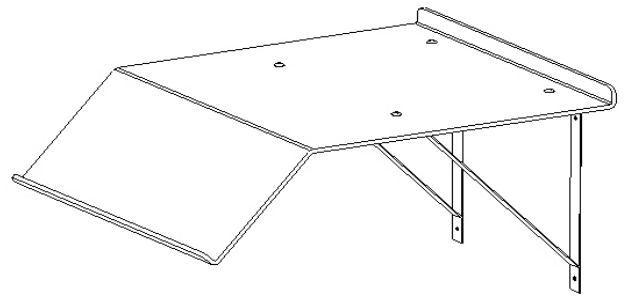
18" Standard Desk

#62038

#62038

**Catalina Shelf with
Keyboard Rest**

#62010

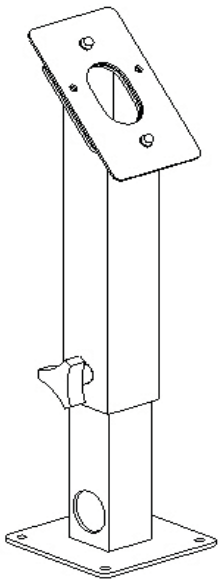


Custom desk sizes available upon request

#62010

Telephone Stand

Telephone Stands adjust in height and have an internal wire way from top to bottom.



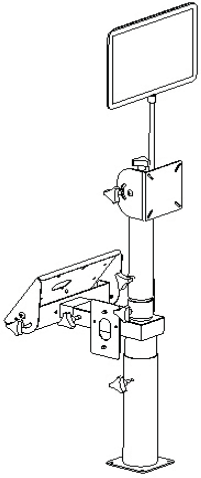
Telephone Stand

#6570

#6570

POSTECH® COMBINATION STANDS

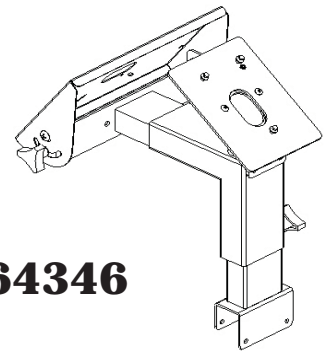
POSTECH® Combination Stands are your best solution when it comes to conserving space around you. These stands allow for two or three stands to be combined into one. The options are endless. Please call today for a quote.



**Touch Screen / Monitor / Sign/
Telephone Combination Stand**
#64345

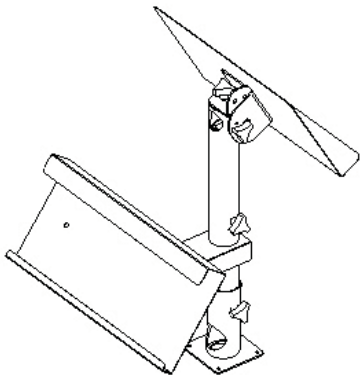
#64345

**Touch Screen Stand with
EFT Combination Stand**
#64346



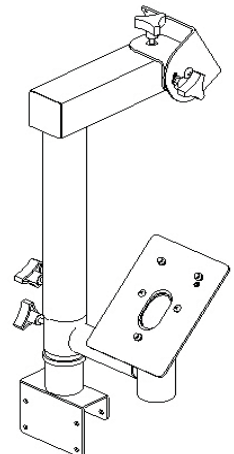
#64346

**Keyboard / PLU
Combination Stand**
#64075



#64075

**Monitor / EFT Arm
Combination Stand**
#64335



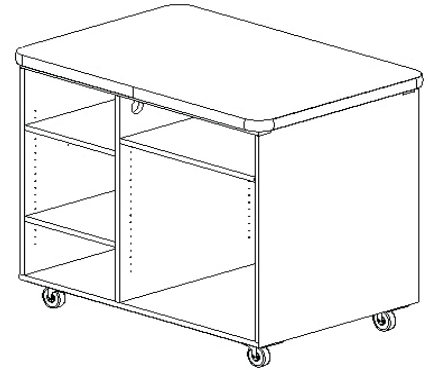
#64335

POSCART

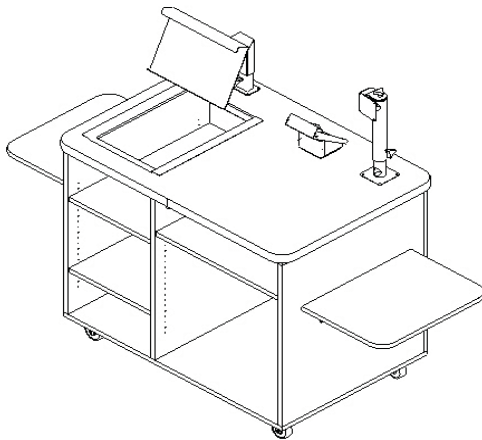
Services, Inc. has developed a modular cart that can be customized to fit many needs. POSCART's are great for garden centers, seasonal checkouts, clearance sales and much more. POSCART's are developed to be easily transported and stored.

POSCART Standard Assembly

#70110



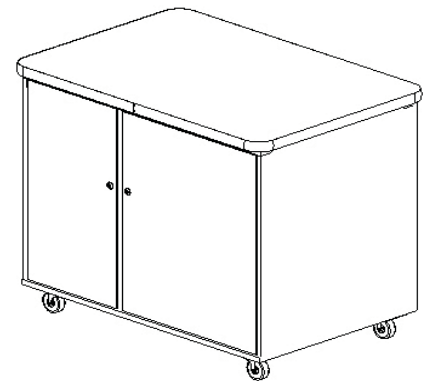
#70110



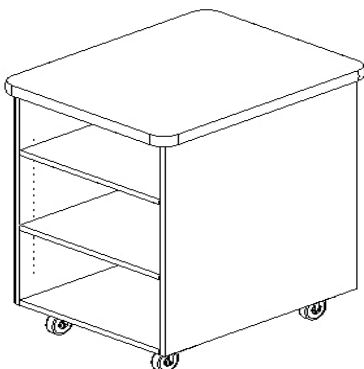
POSCART Shown with Optional Equipment

POSCART with Front Doors

#70205



#70205



Small POSCART Assembly

#71010

#71010

CASHIER CONSOLES®

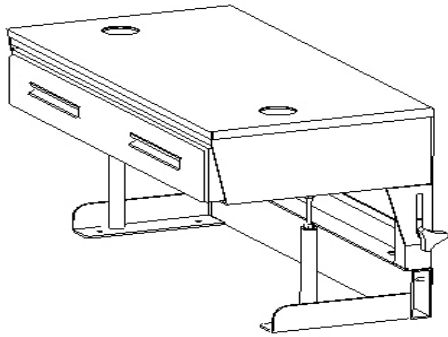
P.O.S. WORK CENTER WITH APG CASH DRAWER

The Cashier Console® positions the uniquely designed cash drawer above the scanner in front of the cashier. This addresses the ergonomic issues of the cashier having to bend and twist to access the drawer.

Cashier Consoles® improves customer contact and increases cash security at the register. Cable management is efficiently handled by the console for all the peripheral keyboards, printers, and pin pads mounted on top of it. Developed to be installed in a variety of environments, the Cashier Console® is readily adapted to all electronic equipment and most check stand brands.

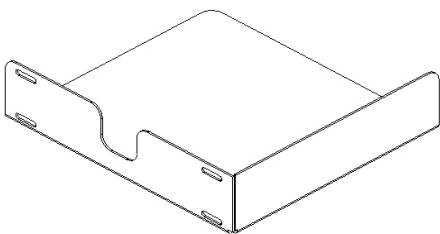
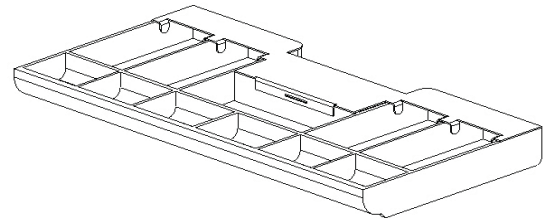
Cashier Console®

#20000



Additional Til

#PK-15-TA-07

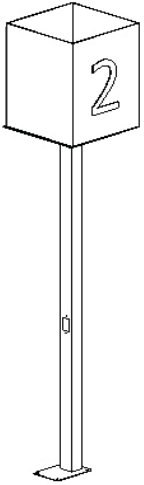


Console Printer Side Shelf

#26001

LANE LIGHTS

Services Inc. uses only top of the line vinyl and acrylic to provide superior illumination for Lane Lights. Standard pricing includes your choice of colored acrylic, vinyl and choice of mounting options.



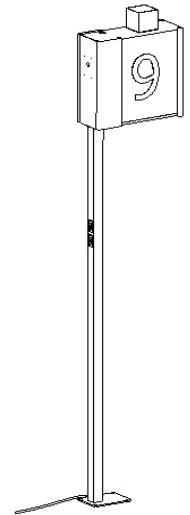
#40167

Open Cube Counter Mount Lane Light

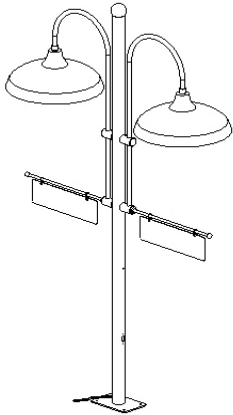
#40167

18" Flag Light Floor Mount with Flasher

Also available are 12" & 15" Flag Light's
#41430



#41430



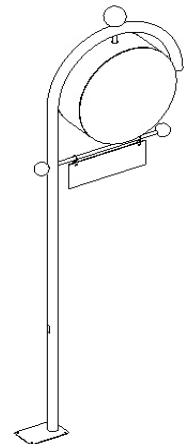
#45030

Double Arch Lane Light

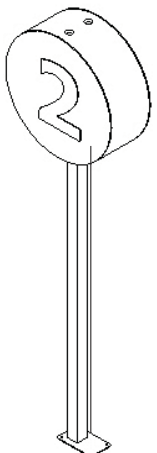
#45030

Single Arch Round Light with Signage Arm

#40134



#40134



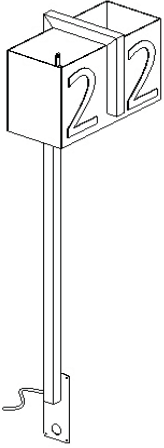
#43040

Standard Round Counter Mount Lane Light

#43040

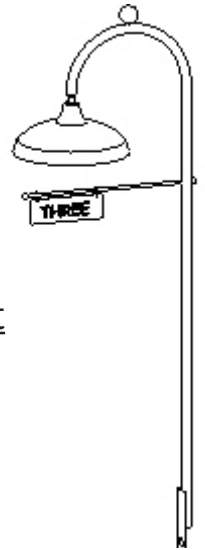
LANE LIGHTS

**Your Choice of mounting: Counter Mount, Transport Mount, Floor Mount
or Ceiling Mount
Your Choice of: Colors and Fonts**



Double Open Cube Transport Mount Lane Light

#40111

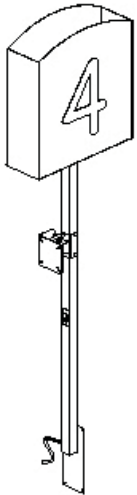


Single Arch Transport Mount Dome Lane Light

#45033

#40111

#45033



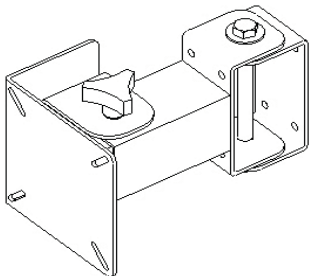
Lane Light with LCD Monitor Bracket

#43345

#43345

Accessories

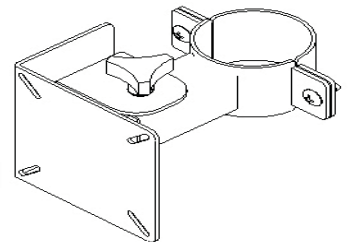
Flash, Express Verbiage, Dangers, Power Poles



LCD Power Pole Mount

#61983

#61983



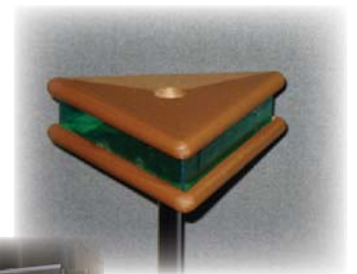
LCD Round Power Pole Mount

#61068

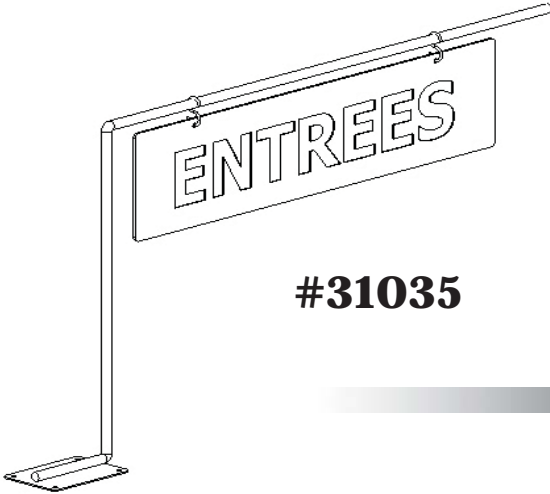
#61068

CUSTOM LIGHTS

Services Inc. excels in custom standard Lane Lights to meet your needs. Original logo's, as well as additional verbiage and artwork, are available. Please speak with our sales staff for more information on custom Lane Lights for your store.



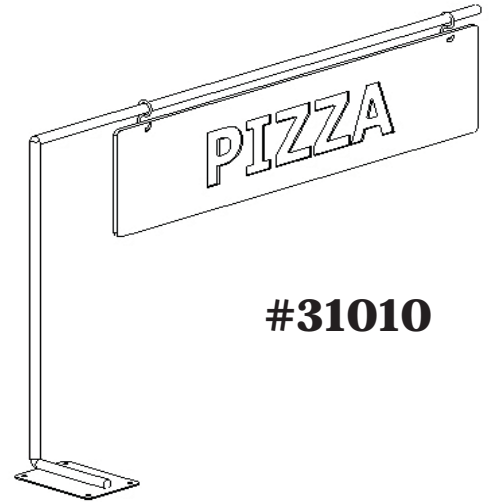
DANGLER ARM'S



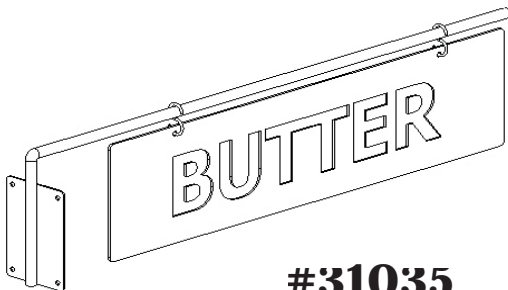
Dangler Arm Standard
#31035

#31035

90 Degree Dangler Arm
#31010



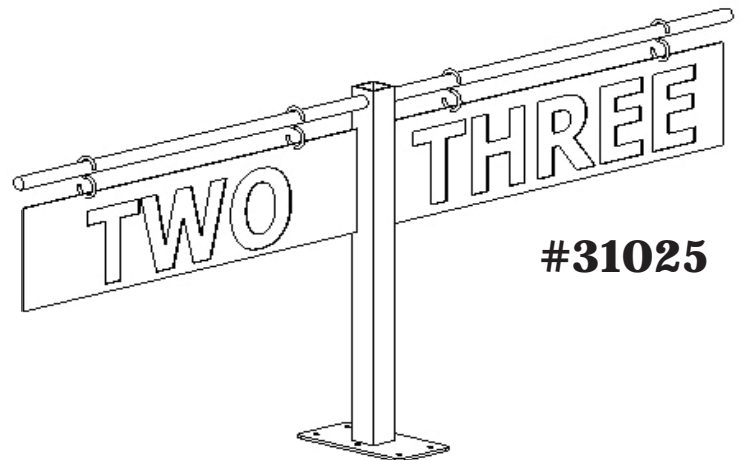
#31010



Verticle Surface Mount
Dangler Arm
#31035

#31035

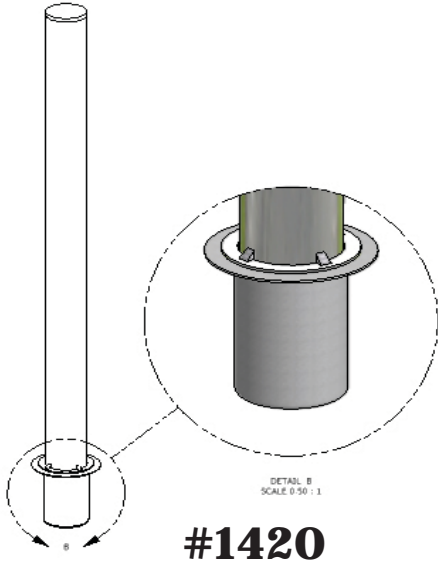
Double Arm Dangler
Assembly
#31025



#31025

**Custom sizes available
upon request**

BOLLARDS & WALL PROTECTION



Bollard (Standard)

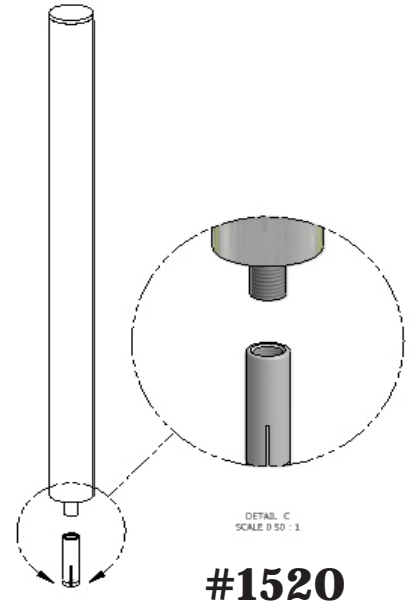
Available in 24", 32", and 36"

#1420

Threaded Bollard

Available in 24", 32", and 36"

#1520



Corner Protection

48" Standard Height

#1500

Custom sizes available
upon request

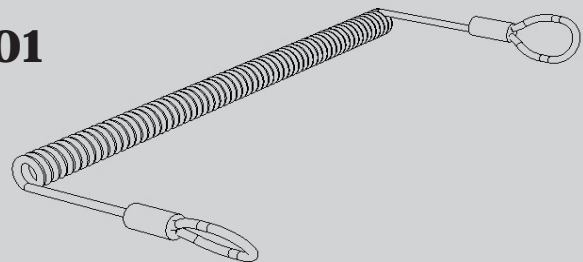


#1500

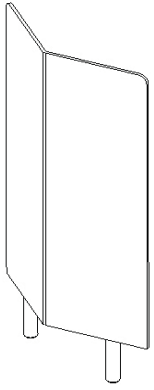
COIL CORD

Coil Cords are great for indicating a closed check out lane and to manage customer traffic. Many colors to choose from.

#FCOILNA-001



CASE GUARDS

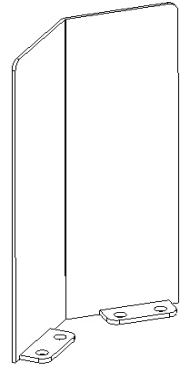


#1280

Removable Case Guard (45 Degree)

24" Standard Height

#1280

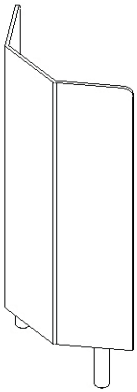


#1275

Fixed Case Guard (45 Degree)

24" Standard Height

#1275

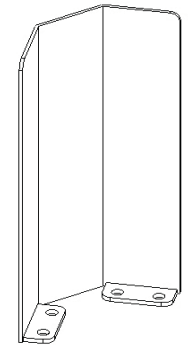


#1290

Removable Case Guard (90 Degree)

24" Standard Height

#1290

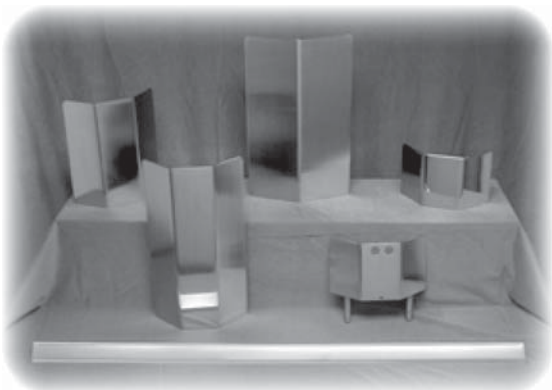


#1285

Fixed Case Guard (90 Degree)

24" Standard Height

#1285



**Custom sizes available
upon request**

Fixturing Services

Services, Inc. operates with an experienced professional crew which enables the most cost-effective installation.

Project terms may include:

- Receiving and Inspection
- Inventory
- Installation and Fixturing
- Decor

Services, Inc. and our crews specialize in a complete and comprehensive package of store fixture installation.

Our Project Coordinator and staff are prepared to tailor their services to best serve your project.



Grocery

- POS Equipment
- Shelving
- Refrigerated Cases
- Freezers
- Scales
- Check Stands
- Meat, Deli, Bakery Equipment

Restaurant

- Sinks
- Prep Tables
- Hot Wells
- Ovens
- Dishwashing Equipment
- Smokers
- Corner Protectors

Warehouse

- Pallet Racking
- Case Guards
- Conveyor Systems
- Personnel Lockers
- Receiving

General Retail

- Store Maintenance
- Decor Packages
- Column Wraps
- Office Furniture
- Signage
- Time Clocks
- Wall & Ceiling Decor
- Fascia Trim
- Safes

Call to request Fixturing Catalog.

Notes:

Please feel free to call any time. Our sales staff is always here to answer questions and accomodate custom needs.



Todd Hinrichs - Sales - todd@servicesinc.net

Jo Desmond - General Manager - jo@servicesinc.net

Rick Maukstad - Fixturing Coordinator - rick@servicesinc.net

Terry Demulling - President - Terry@servicesinc.net

Services Inc.

805 Prospect Ave

P.O. Box 398

Osceola, WI 54020

Toll Free (800)372-3774

Local (715)294-2922

Fax Line (715)294-3041